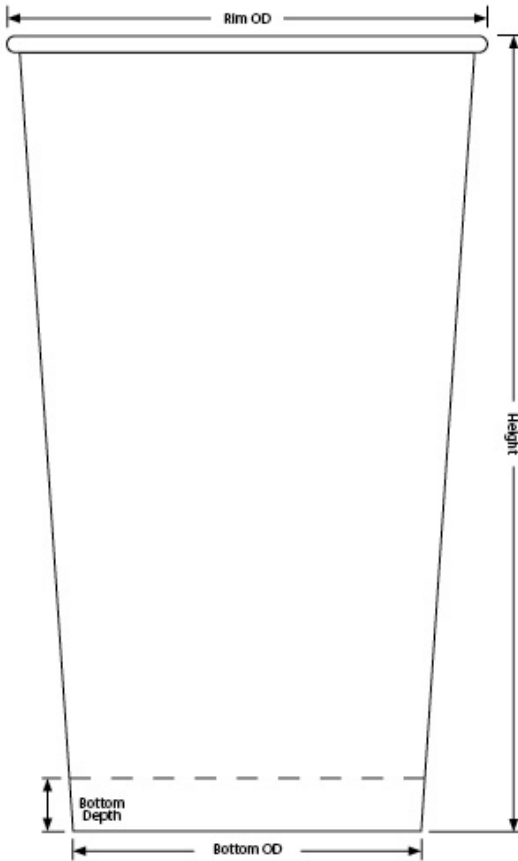




C944 44oz Drink Cup (44)

44oz Recycled Paper Cup-Double Poly



Capacity: 43.79oz / 1295.0ml

Material: 18pt Recycled Paper, Poly 2-sides, 35% Post-Consumer Recycled Fiber, FSC SFI PEFC Certified

Minimum: 25,000 pieces

Height: 7.480" \pm .015

Rim Height: 0.150" \pm .010

Rim OD: 4.525" \pm .010

Bottom OD: 3.282" \pm .010

Bottom Depth: 0.500" \pm .010

Shipping: FOB NV - Made in the USA

44oz Drink Cup (44) available in [Double-Poly Paper](#)
[Plastic-Free Paper](#) [Clear Plastic](#)

C944 Standard Case Pack Configuration

Box Dimensions: 23.15"x9.56"x19.95"

Box Volume: 2.56 Cubic Feet

Box Weight: 19 lbs

Box Content: 250 Pieces

Pallet Dimensions: 40.00"x48.00"x94"

Pallet Weight: 729 lbs

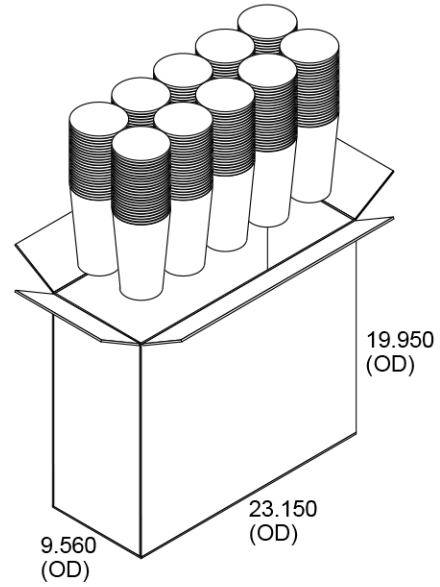
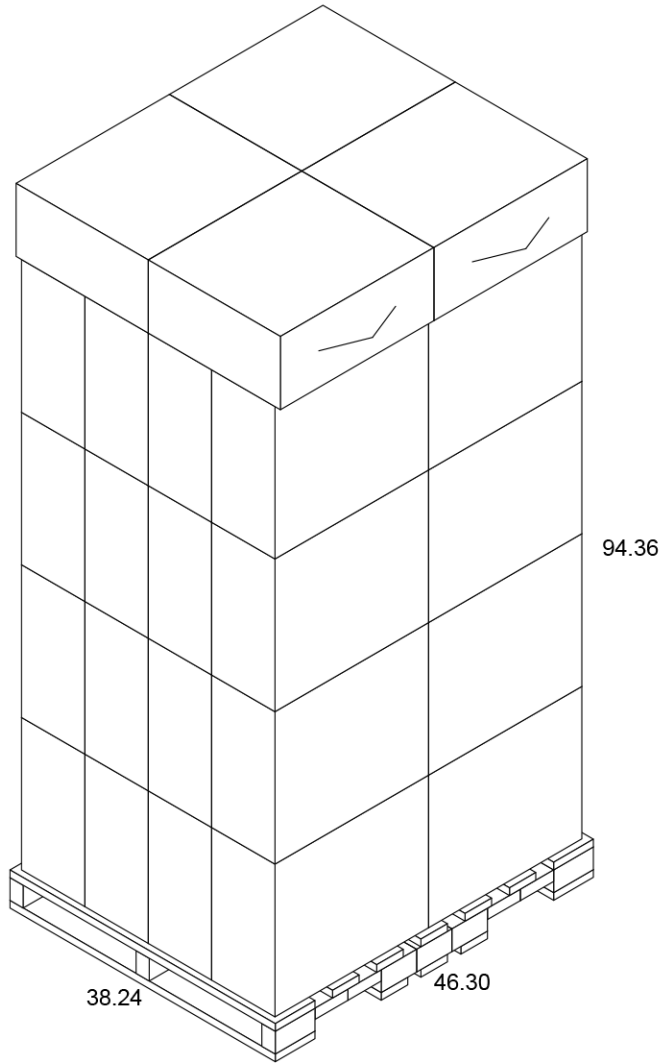
Pallet Content: 9,000 Pieces / 36 Boxes

SEE LID OPTIONS ON LAST PAGE

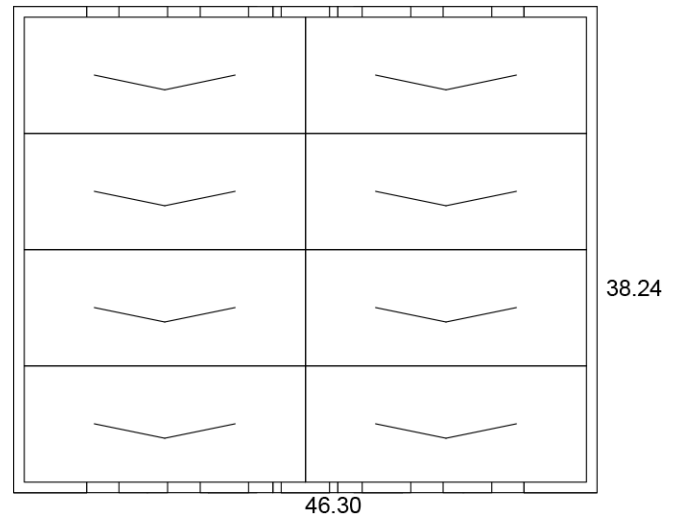
Pallet for C944 (Gloss), M944 (Matte)

44oz Recycled Paper Cup-Double Poly

Pallet View



Top View



Lid Options for C944 (Gloss), M944 (Matte) 44oz Recycled Paper Cup-Double Poly



P2 Printed Snap-Fit Paper

- Hi-Definition, Full Color
- Customizable
- Seamlessly registered text
- Uninterrupted text
- Three week leadtime
- Case: 500 - 14 lbs



Reusable Basic Lids

- Reusable, injection molded
- Black & white standard
- With & without straw slot
- Case: 1,000 - 20 lbs



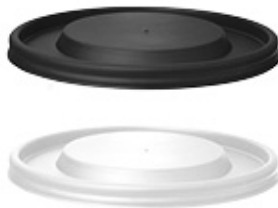
Clear Single-Use Lid

- Clear, thermo-formed
- With & without straw slot
- Case: 1,000 - 10 lbs



Clear U-Dome Lid

- Clear, thermo-formed
- Container fits in lid
- Case: 1,000 - 16 lbs



Deli/Soup Lid

- Black/white thermo-formed
- Vented lid
- Case: 1,000 - 12 lbs