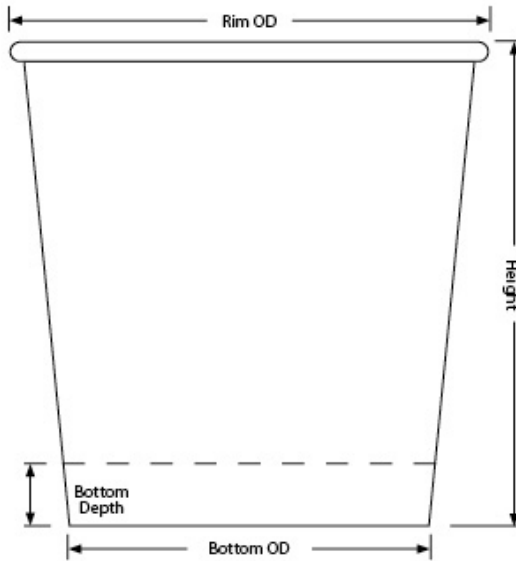




C9R6 Pint 16oz Container (R6)

16oz PINT-R6 Recycled Paper COLD Container



Capacity: 16.10oz / 476.00ml

Material: 16.5pt Recycled Paper, Poly 2-sides, 35% Sustana
Envirolife Post-Consumer Recycled Fiber, FSC SFI
PEFC Certified

Minimum: 1,000 pieces

Height: 3.885" \pm .015

Rim Height: 0.150" \pm .010

Rim OD: 3.839" \pm .010

Bottom OD: 2.889" \pm .010

Bottom Depth: 0.400" \pm .010

Shipping: FOB NV Made in the USA

Pint 16oz Container (R6) available in [Cold Paper](#) [Hot Paper](#)
[Plastic-Free](#)

C9R6 Standard Case Pack Configuration

Box Dimensions: 19.70"x15.86"x23.83"

Box Volume: 4.31 Cubic Feet

Box Weight: 34 lbs

Box Content: 1,000 Pieces

Pallet Dimensions: 40.00"x48.00"x92"

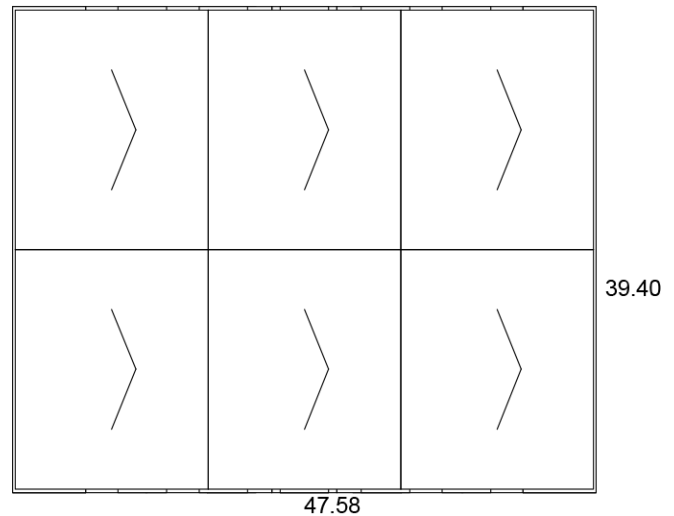
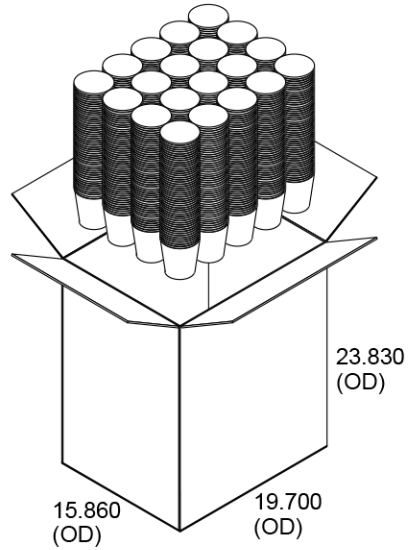
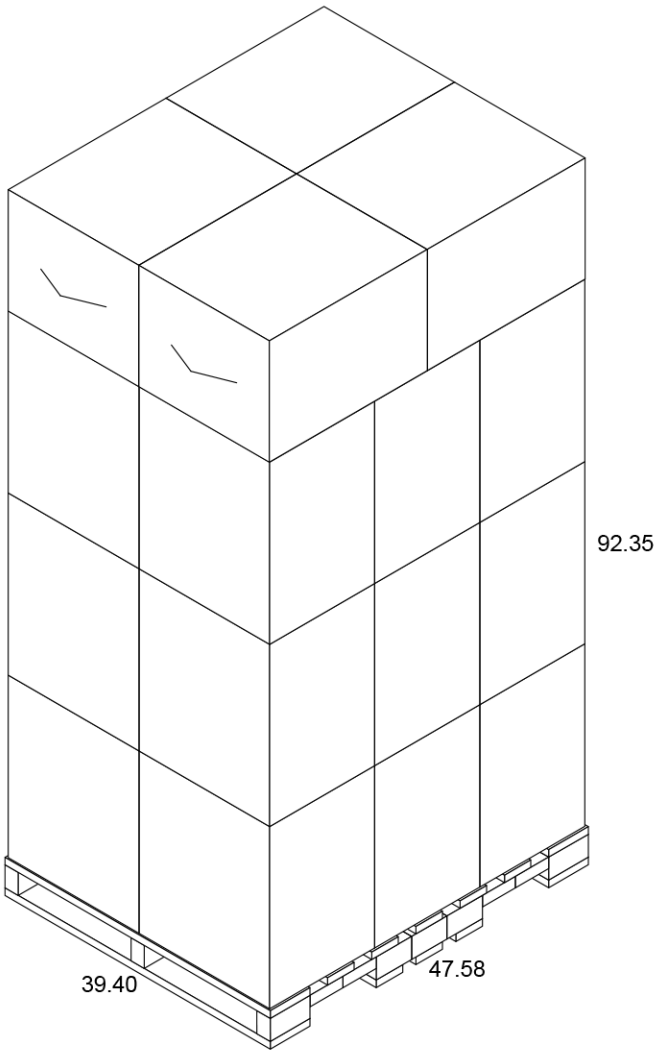
Pallet Weight: 793 lbs

Pallet Content: 22,000 Pieces / 22 Boxes

SEE LID OPTIONS ON LAST PAGE

Pallet for C9R6 (Gloss), M9R6 (Matte)

16oz PINT-R6 Recycled Paper COLD Container



Lid Options for C9R6 (Gloss), M9R6 (Matte)

16oz PINT-R6 Recycled Paper COLD Container



P2 Printed Snap-Fit Paper

- Hi-Definition, Full Color
- Customizable
- Seamlessly registered text
- Uninterrupted text
- Three week leadtime
- Case: 500 - 12 lbs



Reusable Basic Lids

- Reusable, injection molded
- Black & white standard
- With & without straw slot
- Case: 1,000 - 17 lbs



Clear Single-Use Lid

- Clear, thermo-formed
- With & without straw slot
- Case: 1,000 - 8 lbs



Ample Air Breathable Lid

- Black thermo-formed
- Breathable lid
- Case: 500 - 8 lbs



Clear U-Dome Lid

- Clear, thermo-formed
- Container fits in lid
- Case: 1,000 - 10 lbs



Deli/Soup Lid

- Black/white thermo-formed
- Vented lid
- Case: 1,000 - 8 lbs