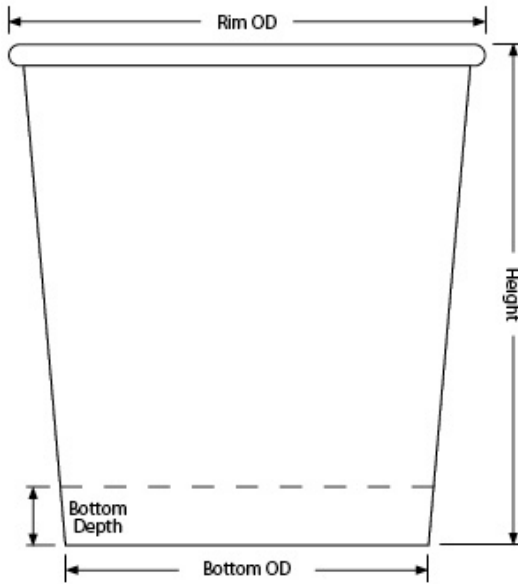




# C9T2 12oz Container (T2)

12oz T2 Recycled Paper COLD Container



---

**Capacity:** 12.75oz / 377.00ml

---

**Material:** 17.5pt Recycled Paper, Poly 2-sides, 35% Sustana  
Envirolife Post-Consumer Recycled Fiber, FSC SFI  
PEFC Certified

---

**Minimum:** 2,000 pieces

---

**Height:** 3.687"  $\pm$ .015

---

**Rim Height:** 0.150"  $\pm$ .010

---

**Rim OD:** 3.515"  $\pm$ .010

---

**Bottom OD:** 2.665"  $\pm$ .010

---

**Bottom Depth:** 0.414"  $\pm$ .010

---

**Shipping:** FOB NV Made in the USA

---

12oz Container (T2) available in [Cold Paper](#) [Hot Paper](#)  
[Plastic-Free](#) [Clear Plastic](#) [White Plastic](#)

---

## C9T2 Standard Case Pack Configuration

Box Dimensions: 18.10"x14.63"x23.38"

Box Volume: 3.58 Cubic Feet

Box Weight: 36 lbs

Box Content: 1,000 Pieces

Pallet Dimensions: 40.00"x48.00"x99"

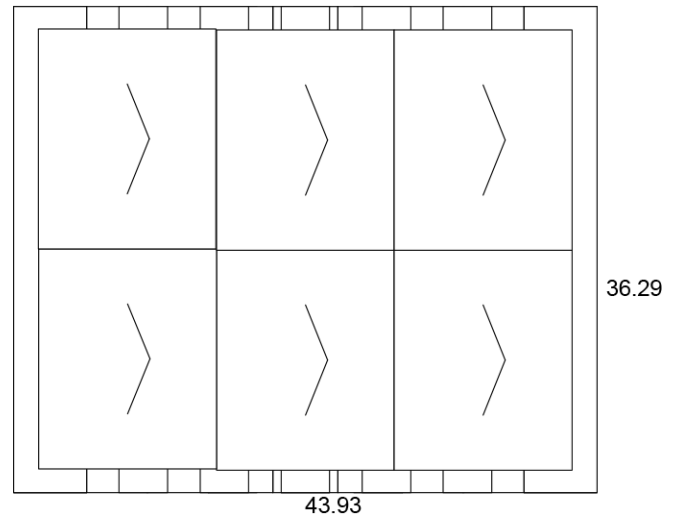
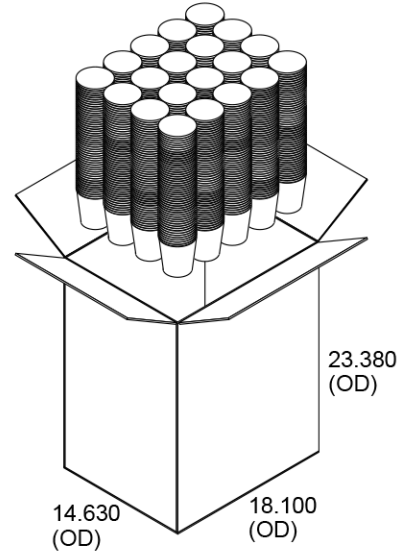
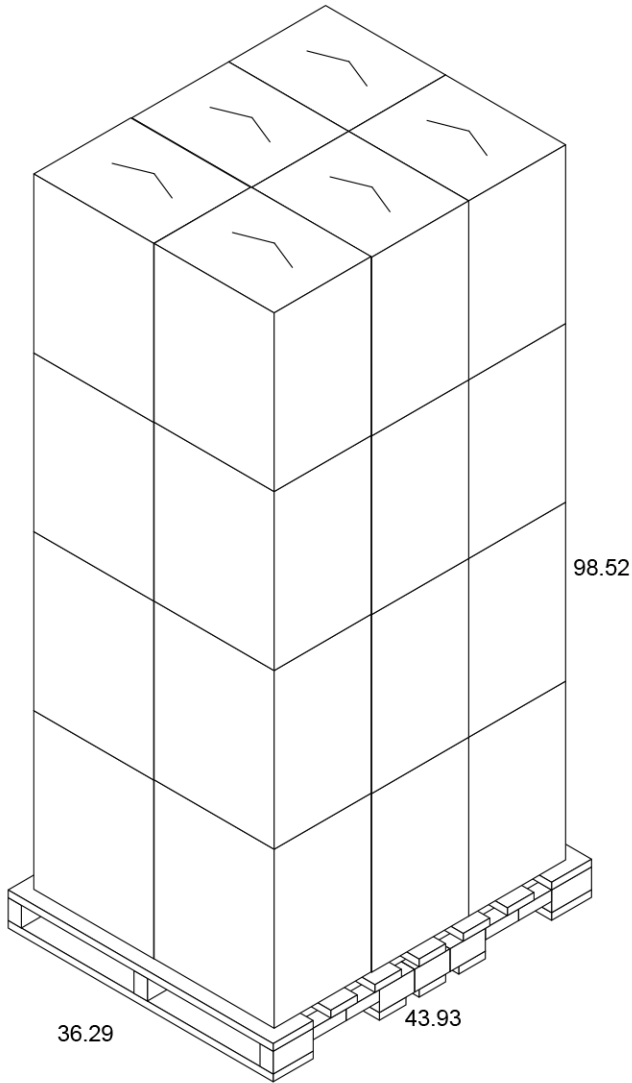
Pallet Weight: 909 lbs

Pallet Content: 24,000 Pieces / 24 Boxes

SEE LID OPTIONS ON LAST PAGE

# Pallet for C9T2 (Gloss), M9T2 (Matte)

## 12oz T2 Recycled Paper COLD Container





## Lid Options for C9T2 (Gloss), M9T2 (Matte) 12oz T2 Recycled Paper COLD Container



### P2 Printed Snap-Fit Paper

- Hi-Definition, Full Color
- Customizable
- Seamlessly registered text
- Uninterrupted text
- Three week leadtime
- Case: 500 - 10 lbs



### Clear Single-Use Lid

- Clear, thermo-formed
- With & without straw slot
- Case: 1,000 - 8 lbs



### Clear High Dome Lid

- Clear, thermo-formed
- With top opening
- Case: 1,000 - 10 lbs



### Cappuccino Lid

- White/Black, thermo-formed
- Vented lid
- Case: 1,000 - 8 lbs