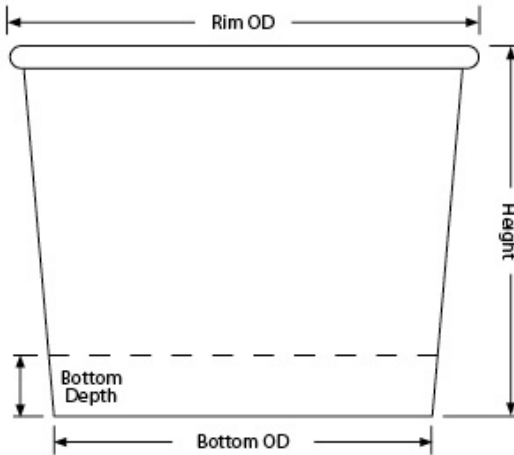




C9T8 8oz Container (T8)

8oz T8 Recycled Paper COLD Container



Capacity: 8.00oz / 237.00ml

Material: 16.5pt Recycled Paper, Poly 2-sides, 35% Sustana
EnviroLife Post-Consumer Recycled Fiber, FSC SFI
PEFC Certified

Minimum: 2,000 pieces

Height: 2.634" \pm .015

Rim Height: 0.150" \pm .010

Rim OD: 3.321" \pm .010

Bottom OD: 2.665" \pm .010

Bottom Depth: 0.414" \pm .010

Shipping: FOB NV Made in the USA

8oz Container (T8) available in [Cold Paper](#) [Hot Paper](#)
[Plastic-Free](#) [White Plastic](#)

C9T8 Standard Case Pack Configuration

Box Dimensions: 17.33"x13.45"x22.83"

Box Volume: 3.08 Cubic Feet

Box Weight: 28 lbs

Box Content: 1,000 Pieces

Pallet Dimensions: 40.00"x48.00"x96"

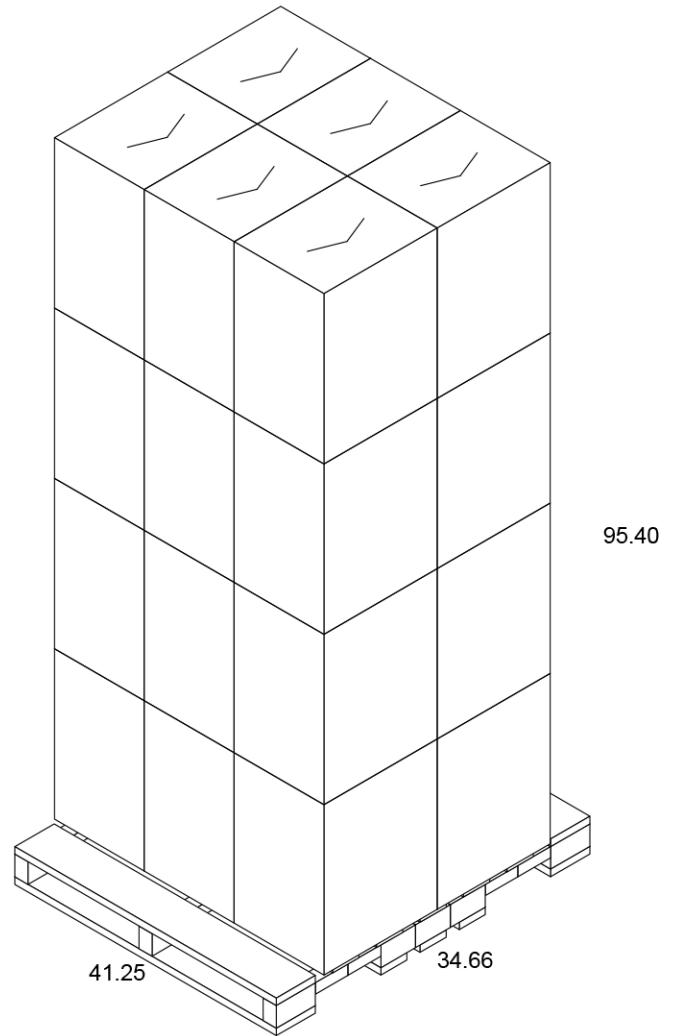
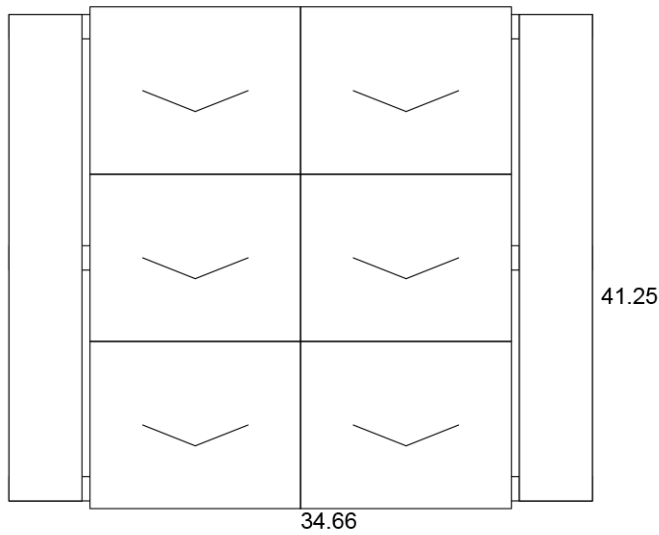
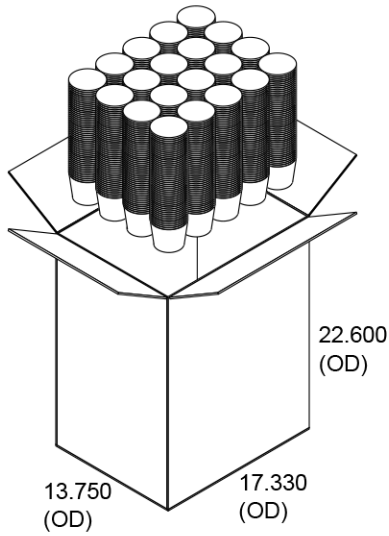
Pallet Weight: 717 lbs

Pallet Content: 24,000 Pieces / 24 Boxes

SEE LID OPTIONS ON LAST PAGE

Pallet for C9T8 (Gloss), M9T8 (Matte)

8oz T8 Recycled Paper COLD Container



Lid Options for C9T8 (Gloss), M9T8 (Matte) 8oz T8 Recycled Paper COLD Container



P2 Printed Snap-Fit Paper

- Hi-Definition, Full Color
- Customizable
- Seamlessly registered text
- Uninterrupted text
- Three week leadtime
- Case: 500 - 9 lbs



Reusable Basic Lid

- Reusable, injection molded
- Black & white standard
- Available in red
- No straw slot
- Case: 1,000 - 13 lbs



Clear Single-Use Lid

- Clear, thermo-formed
- With & without straw slot
- Call for shipping info



Clear High Dome Lid

- Clear, thermo-formed
- With top opening
- Case: 1,000 - 8 lbs