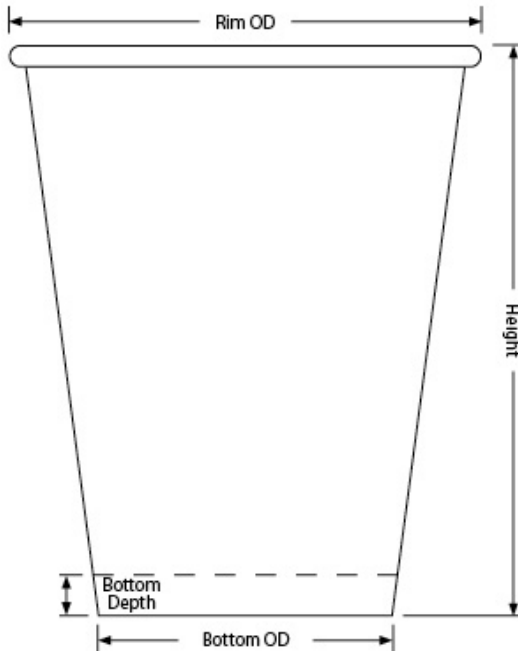




F213 12oz Drink Cup (13)

12oz Tall Reusable, Recyclable Cup - Clear



Capacity: 13.10oz / 387.20ml

Material: 19mil Recyclable Clear Polypropylene

Minimum: 5,000 pieces

Height: 4.248" ±.015

Rim Height: 0.170" ±.010

Rim OD: 3.515" ±.010

Bottom OD: 2.184" ±.010

Bottom Depth: 0.300" ±.010

Shipping: FOB NV Made in the USA

12oz Drink Cup (13) available in [Cold Paper](#) [Hot Paper](#) [Plastic-Free](#) [Clear Plastic](#)

F213 Standard Case Pack Configuration

Box Dimensions: 18.10"x14.58"x12.61"

Box Volume: 1.93 Cubic Feet

Box Weight: 18 lbs

Box Content: 500 Pieces

Pallet Dimensions: 40.00"x48.00"x91"

Pallet Weight: 801 lbs

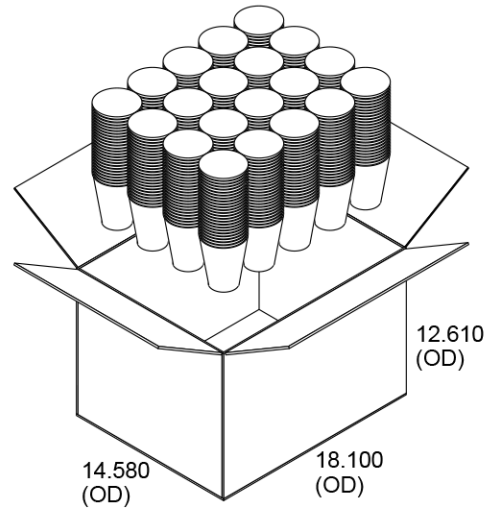
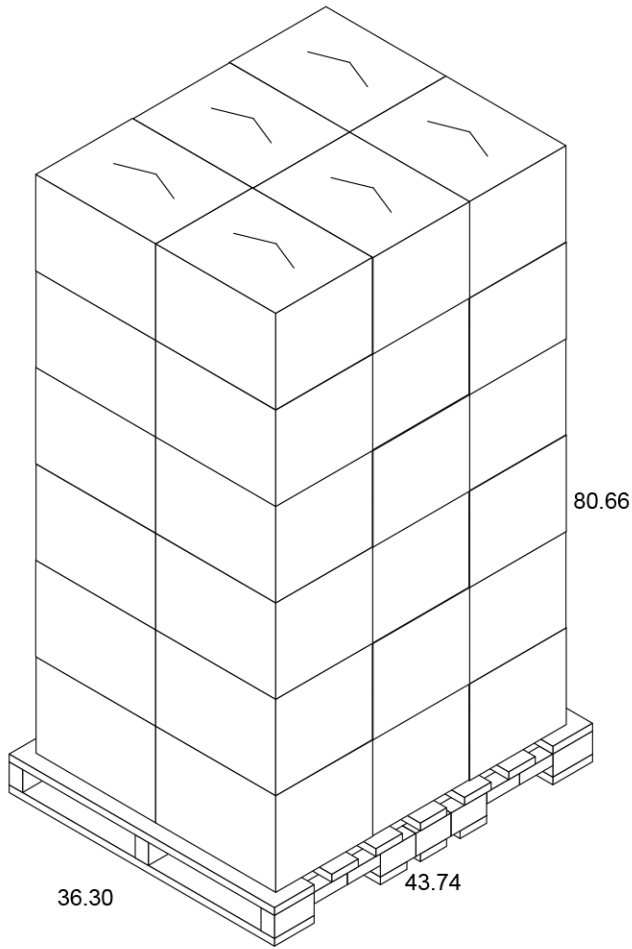
Pallet Content: 21,000 Pieces / 42 Boxes

SEE LID OPTIONS ON LAST PAGE

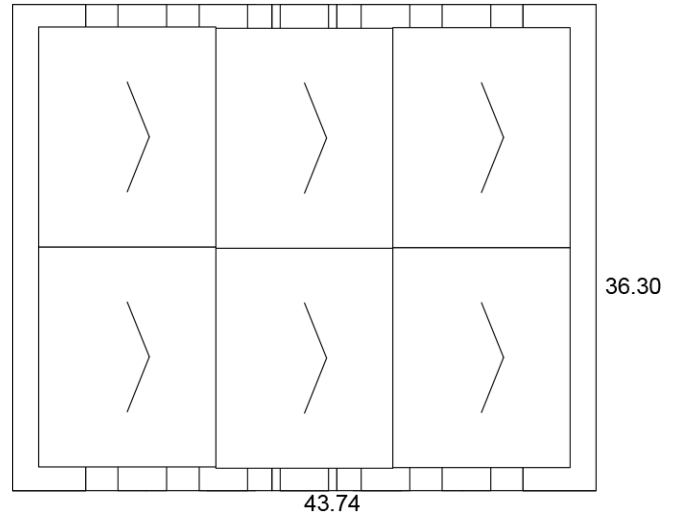
Pallet for F213

12oz Tall Reusable, Recyclable Cup - Clear

Pallet View



Top View



Lid Options for F213

12oz Tall Reusable, Recyclable Cup - Clear



P2 Printed Snap-Fit Paper

- Hi-Definition, Full Color
- Customizable
- Seamlessly registered text
- Uninterrupted text
- Three week leadtime
- Case: 500 - 10 lbs



Clear Single-Use Lid

- Clear, thermo-formed
- With & without straw slot
- Case: 1,000 - 8 lbs



Clear High Dome Lid

- Clear, thermo-formed
- With top opening
- Case: 1,000 - 10 lbs



Cappuccino Lid

- White/Black, thermo-formed
- Vented lid
- Case: 1,000 - 8 lbs