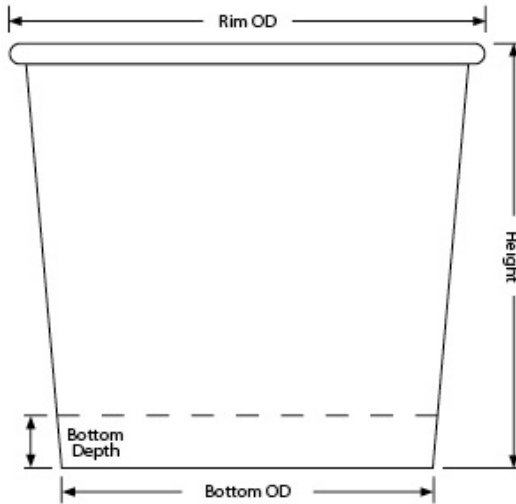




H9U2 Mid 12oz Container (U2)

12oz Mid-U2 Recycled Paper HOT Container



Capacity: 12.10oz / 358.80ml

Material: 18pt Recycled Paper, Poly 1-side, 35% Sustana
EnviroLife Post-Consumer Recycled Fiber, FSC SFI
PEFC Certified

Minimum: 2,000 pieces

Height: 3.250" \pm .015

Rim Height: 0.150" \pm .010

Rim OD: 3.635" \pm .010

Bottom OD: 2.843" \pm .010

Bottom Depth: 0.400" \pm .010

Shipping: FOB NV Made in the USA

Mid 12oz Container (U2) available in [Cold Paper](#) [Hot Paper](#)
[Plastic-Free](#)

H9U2 Standard Case Pack Configuration

Box Dimensions: 19.25"x15.25"x23.38"

Box Volume: 3.97 Cubic Feet

Box Weight: 30 lbs

Box Content: 1,000 Pieces

Pallet Dimensions: 40.00"x48.00"x90"

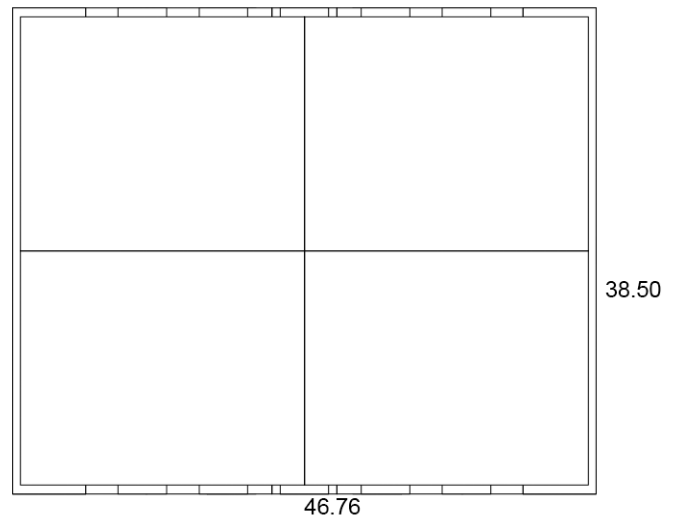
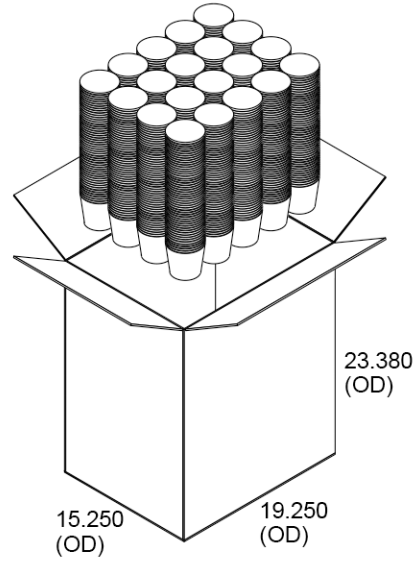
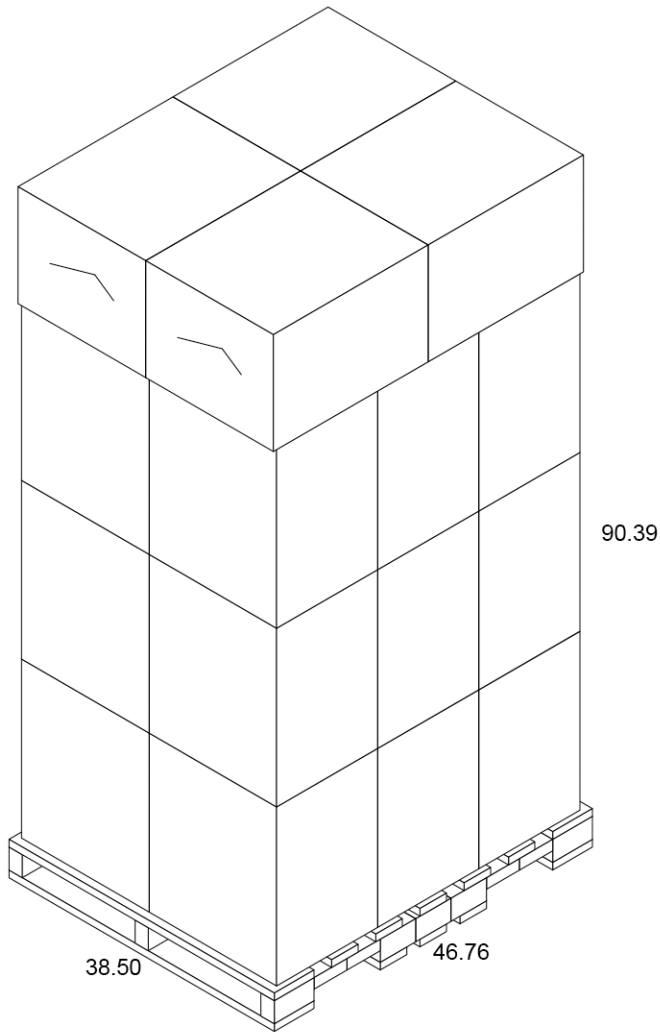
Pallet Weight: 705 lbs

Pallet Content: 22,000 Pieces / 22 Boxes

SEE LID OPTIONS ON LAST PAGE

Pallet for H9U2

12oz Mid-U2 Recycled Paper HOT Container



Lid Options for H9U2

12oz Mid-U2 Recycled Paper HOT Container



P2 Printed Snap-Fit Paper

- Hi-Definition, Full Color
- Customizable
- Seamlessly registered text
- Uninterrupted text
- Three week leadtime
- Case: 500 - 11 lbs



Reusable Basic Lids

- Reusable, injection molded
- Black & white standard
- With & without straw slot
- Call for shipping info