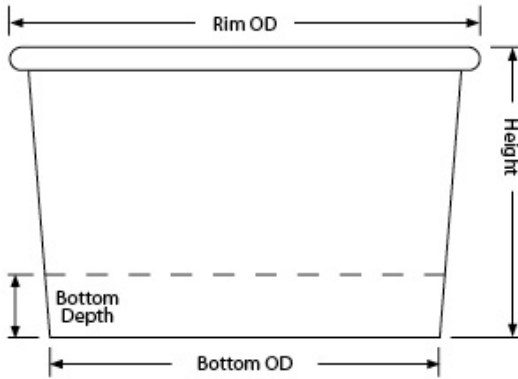




MNT5 5oz Container (T5)

5oz-T5 VANISH™ Plastic-FREE Paper Container



Capacity: 5.50oz / 161.80ml

Material: 15.7pt VANISH™ Plastic-FREE, Compostable, Recyclable Paper SFI PEFC Certified

Minimum: 2,000 pieces

Height: 2.000" ±.015

Rim Height: 0.150" ±.010

Rim OD: 3.210" ±.010

Bottom OD: 2.665" ±.010

Bottom Depth: 0.414" ±.010

Shipping: FOB NV - Made in the USA

5oz Container (T5) available in [Double-Poly Paper](#)
[Single-Poly Paper](#) [Plastic-Free Paper](#)

MNT5 Standard Case Pack Configuration

Box Dimensions: 16.78"x13.00"x22.28"

Box Volume: 2.81 Cubic Feet

Box Weight: 20 lbs

Box Content: 1,000 Pieces

Pallet Dimensions: 40.00"x48.00"x94"

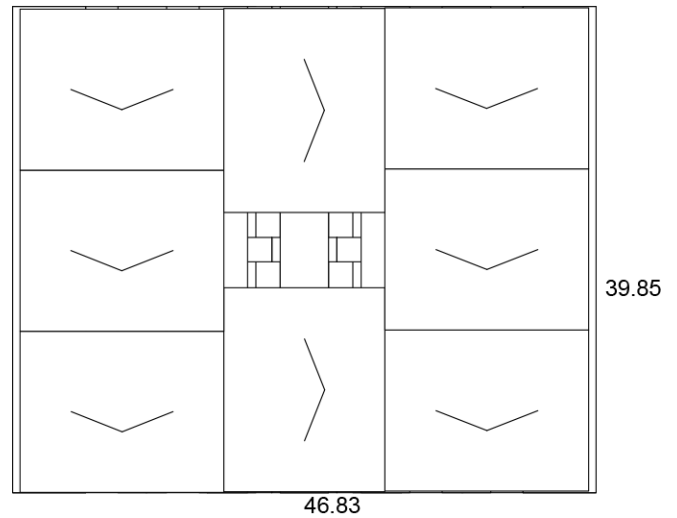
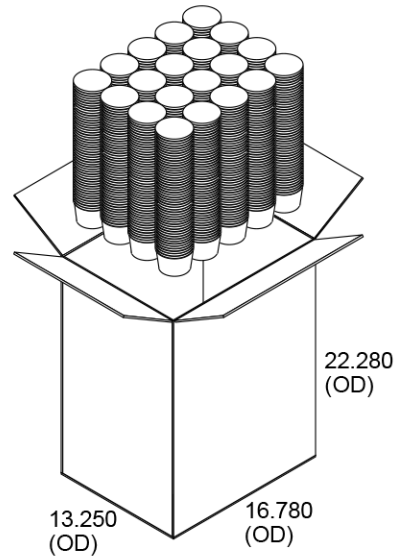
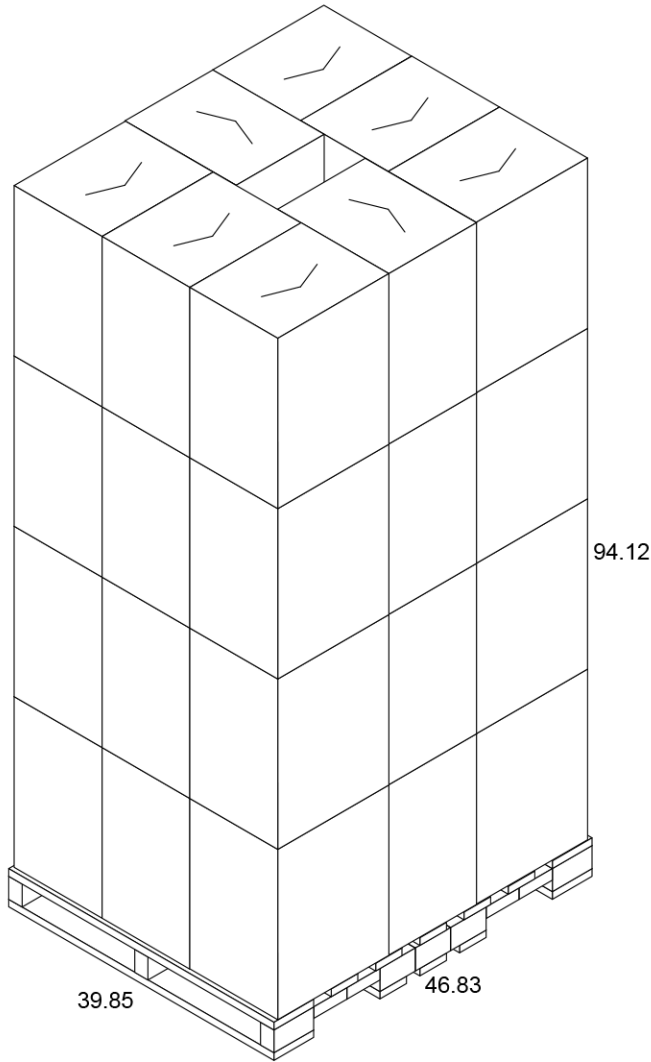
Pallet Weight: 685 lbs

Pallet Content: 32,000 Pieces / 32 Boxes

SEE LID OPTIONS ON LAST PAGE

Pallet for MNT5 (Matte)

5oz-T5 VANISH™ Plastic-FREE Paper Container



Lid Options for MNT5 (Matte)

5oz-T5 VANISH™ Plastic-FREE Paper Container



P2 Printed Snap-Fit Paper

- Hi-Definition, Full Color
- Customizable
- Seamlessly registered text
- Uninterrupted text
- Three week leadtime
- Case: 500 - 8 lbs



Reusable Basic Lid

- Reusable, injection molded
- Black & white standard
- Available in red
- No straw slot
- Call for shipping info



Clear Single-Use Lid

- Clear, thermo-formed
- With & without straw slot
- Call for shipping info



Clear U-Dome Lid

- Clear, thermo-formed
- Container fits in lid
- Case: 1,000 - 9 lbs