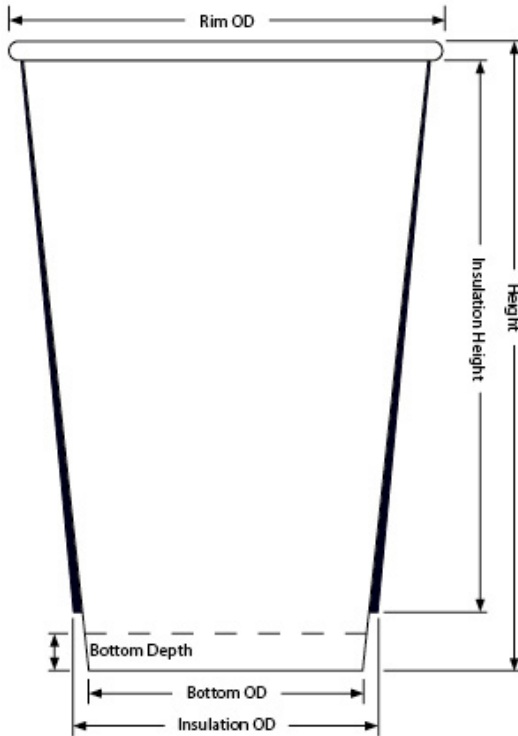




XND6 16oz Drink Cup (D6)

16oz Double Wall VANISH Plastic-FREE Paper Cup



Capacity: 16.00oz / 473.00ml

Material: 15.7pt Bio Natura Plastic-FREE, Compostable, Recyclable Paper PEFC Certified

Minimum: 1,000 pieces

Height: 5.099" \pm .015

Rim Height: 0.150" \pm .010

Rim OD: 3.515" \pm .010

Bottom OD: 2.215" \pm .010

Bottom Depth: 0.301" \pm .010

Shipping: FOB NV Made in the USA

16oz Drink Cup (D6) available in [Double Wall Plastic-Free Double Wall](#)

XND6 Standard Case Pack Configuration

Box Dimensions: 23.75"x18.25"x14.01"

Box Volume: 3.51 Cubic Feet

Box Weight: 27 lbs

Box Content: 500 Pieces

Pallet Dimensions: 40.00"x48.00"x89"

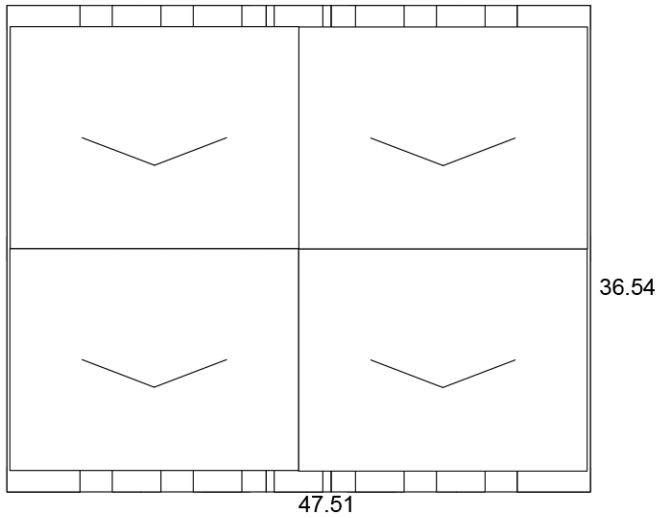
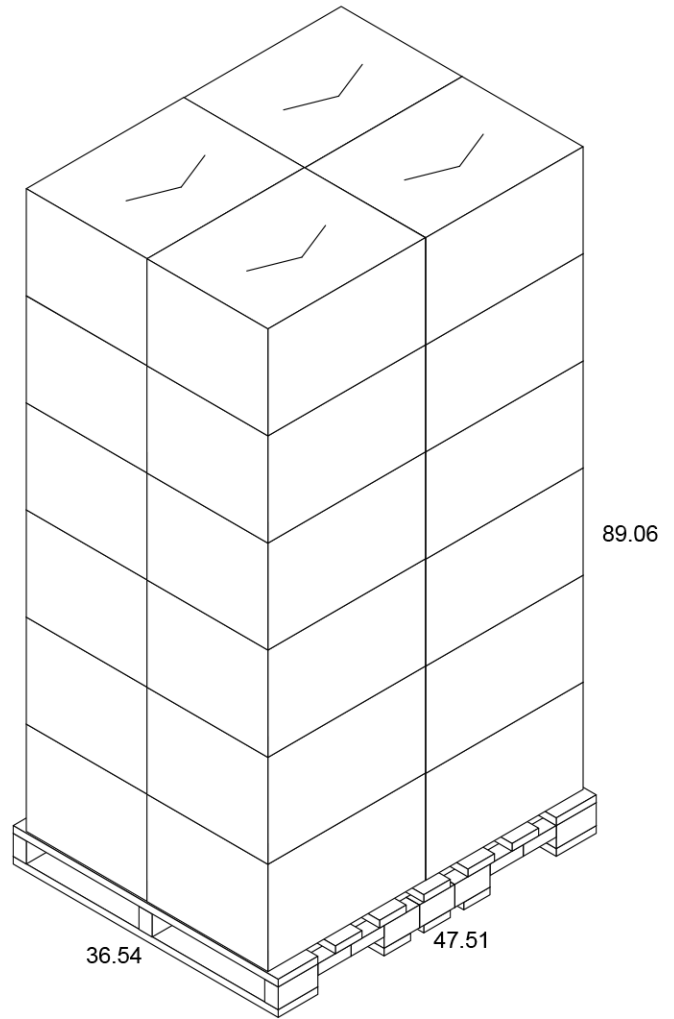
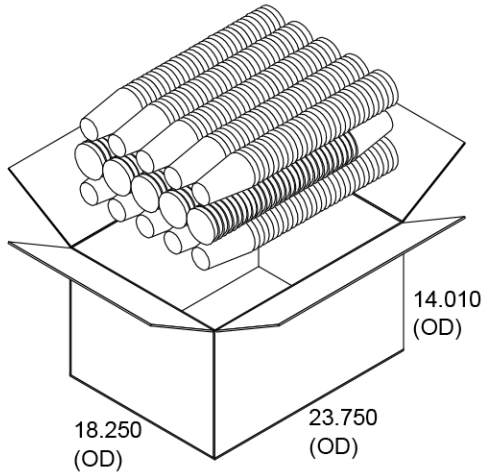
Pallet Weight: 693 lbs

Pallet Content: 12,000 Pieces / 24 Boxes

SEE LID OPTIONS ON LAST PAGE

Pallet for XND6 (Matte)

16oz Double Wall VANISH Plastic-FREE Paper Cup



Lid Options for XND6 (Matte)

16oz Double Wall VANISH Plastic-FREE Paper Cup



P2 Printed Snap-Fit Paper

- Hi-Definition, Full Color
- Customizable
- Seamlessly registered text
- Uninterrupted text
- Three week leadtime
- Case: 500 - 10 lbs



Reusable Basic Lid

- Reusable, injection molded
- Black & white standard
- Available in red
- No straw slot
- Call for shipping info



Clear Single-Use Lid

- Clear, thermo-formed
- With & without straw slot
- Case: 1,000 - 8 lbs



Clear High Dome Lid

- Clear, thermo-formed
- With top opening
- Case: 1,000 - 10 lbs



Cappuccino Lid

- White/Black, thermo-formed
- Vented lid
- Case: 1,000 - 8 lbs